



# ROADTIGER® STANDARD

The first steps



**GRAMMER**

# TECHNICAL DATA

## ROADTIGER® STANDARD

### The first steps

The ROADTIGER Standard features a pneumatic suspension system with automatic weight adjustment. It also comes with a fore/aft isolator, lumbar support and a finely adjustable backrest. The seat tilt adjustment and adjustable seat cushion depth ensure ergonomic comfort whilst sitting.



Pneumatic suspension



Automatic weight adjustment



Pneumatic lumbar support



Adjustable shock absorber



Fore/aft adjustment

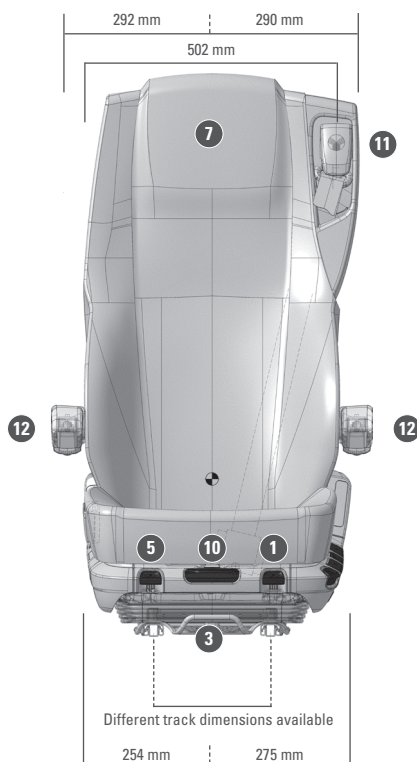
### Features

● Standard ○ Optional

	ROADTIGER® STANDARD left/right
Pneumatic suspension	●
① Shock absorber adjustable in 4 steps	●
Suspension stroke 55 mm	●
② Height adjustment 145 mm	●
Automatic weight adjustment 50 up to 190 kg	●
③ Fore/aft adjustment 220 mm	●
④ Quick down	●
⑤ Fore/aft isolator	●
⑥ Tilt adjustment	●

	ROADTIGER® STANDARD left/right
⑦ Integrated headrest	●
⑧ Tilt adjustment	●
⑨ Pneumatic lumbar support	●
⑩ Seat cushion depth adjustment 60 mm in 6 steps	●
⑪ Integrated 3-point belt	●
Buckle warning contact	●
Seat belt pretensioner	●
Upholstery fabric	●
OPTIONAL FEATURES	
⑫ Comfortable armrests, tiltable	○

### Measurements (installation dimensions)



All dimensions in mm.  
Subject to technical changes.

